

LT-3200-6A

Constant Voltage LED dimmer

User Instructions



(Pls kindly read through instructions before use)

Forword

Thanks for choosing our LT-3200-6A dimmer. Before installation and use, we strongly recommend you to read through this manual carefully. If device has been damaged during transport, please report it to your supplier immediately. Please don't take any action without contacting your supplier first.

After-sales Service

From the day you purchase our products within a year, if being used properly in accordance with the instruction, and quality problems occur, we provide free repair or replacement services except the following cases:

1. Any defects caused by wrong operations..
2. Any damages caused by unauthorized removal, maintenance, modifying circuit, incorrect connections and replacing chips.
3. Any damages due to transportation, vibration etc after the purchase.
4. Any damages caused by earthquake, fire, lightning strike, pollution and abnormal voltage.
5. Any damages caused by negligence, inappropriate storing at high temperature and humidity environment or near harmful chemicals.
6. Product has been updated

Safety Warnings

1. Please don't install this controller in lightening, intense magnetic and high-voltage fields.
2. To reduce the risk of component damage and fire caused by short circuit, make sure correct connection
3. Always be sure to mount this unit in an area that will allow proper ventilation to ensure a fitting temperature.
4. Check if the voltage and power adapter suit the controller & if anode or cathode definition is the same as the controller's.
5. Don't connect cables with power on, make sure a correct connection and no short circuit checked with instrument before power on.
6. Please don't attempt any repairs yourself; doing so will void your manufacture's warranty.

For update information, kindly please consult with your supplier.

Product Brief

LT-3200 is an intelligent dimmer specially designed for LED lighting, it adopted the most advanced PWM (pulse-width-modulation) digital brightness-adjusting technology that enables you adjust the brightness by the infinite knob and also can adjust the brightness far away by the IR wireless controller. It is suitable for installation of commercial and household 86-style socket, you can install it visibly outside the wall or invisibly inside the wall, it can meet different brightness requirements at different time by install the dimmer, also it can extend the LED life tenure, save the energy, it can control hi-power or low-power LED lamps.

I . Technical Specs

Model NO.	LT-3200-6A
Input and output power	DC12V~DC24V
Output signal	single channel constant Voltage PWM signal
Output current	6A
Output power	75W(12V) 150W(24V)
Grey scale	256 levels
Switch size	L87×W87(mm)
IR controller size	L86×W33(mm)
Package size	L96×W91×H61(mm)
Gross weight	200g

II .Features

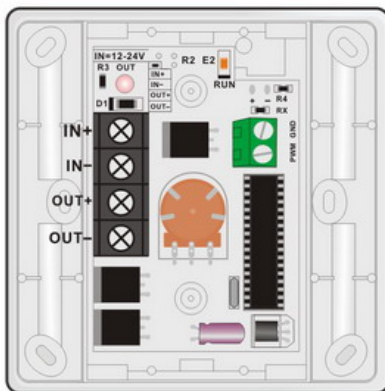
1. 0~100% brightness adjust, infinite knob style dimming+ wireless IR remote dimming;
2. 256 grey scales, soft & smoothly, without flicker;
3. PWM digital dimming + programs without current surge, longest life tenure of LED;
4. 25%、50%、75%、100% , 4 shortcuts of brightness options available;

5. 4 DIY modes, with Fluorescent Indicator & delay off button, users friendly;
6. When actual power of dimmer exceeds load capability, can add extra power repeater to expand power output;
7. DMX, constant current & DMX versions available, convenient to control different LED illumination products with different circuits.

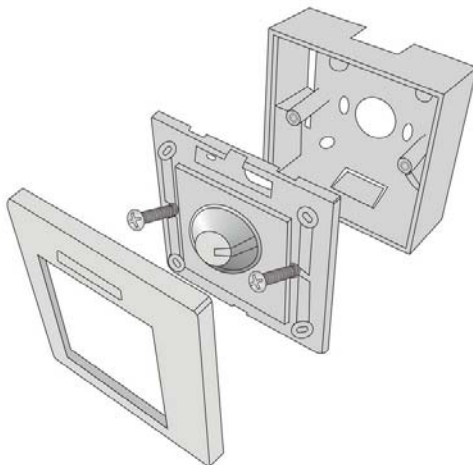
III. Structure



Front view

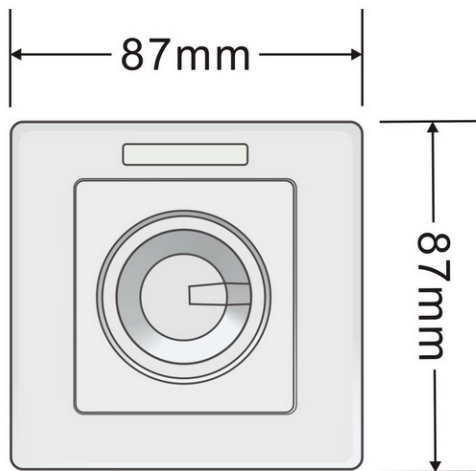


Rear view

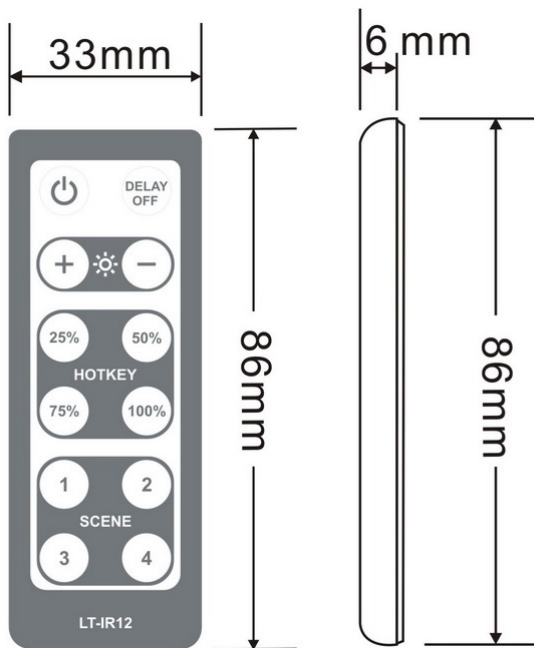


Main structure

IV.Product Dimension



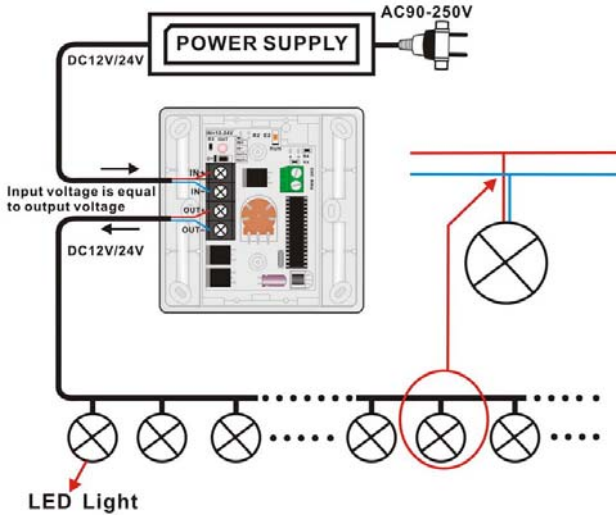
Dimmer size



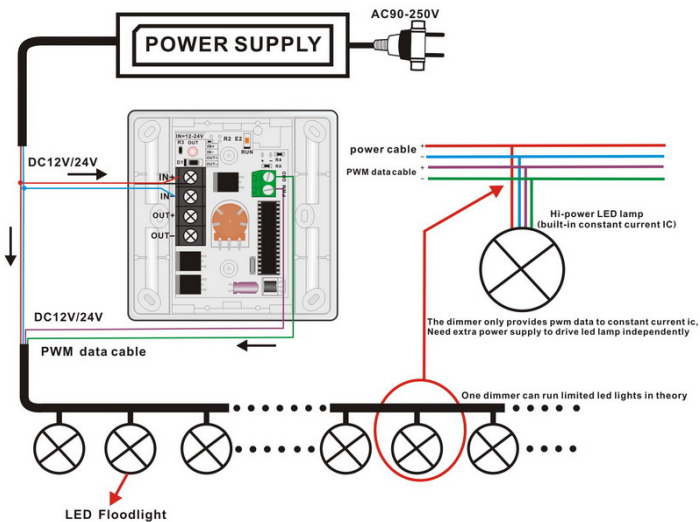
IR remote controller size

V. Connecting scheme

1. Connecting to low-power LED lamps scheme

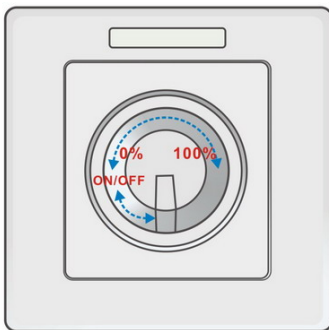


2. Connecting to hi-power LED lamps, the dim controller only provides PWM signal to drive the IC in the lamps, users need to add extra power supplier to power the lamps, one single dimmer can control unlimited hi-power lamps.

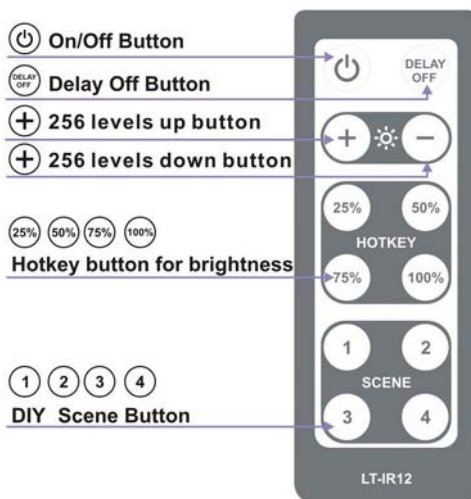


VI. Instructions

1. On Keys.









The knob of the dimmer



The definition of the key

2. The detailed definition of the key

Sign	button	description
	ON /OFF	turn on/off the controller  Any button can start the controller at off status

	<p>DELAY OFF</p>	<p>Press this key, it will wait 30 seconds before turning off the light automatically</p>
	<p>BRT+ BRT-</p>	<p>These two buttons can increase or decrease the brightness, total 256 levels of brightness, continually pressing it, you can continually change the brightness</p>
	<p>HOTKEY</p>	<p>Press these four keys can select different brightness you want directly & immediately.</p>
	<p>SCENE</p>	<p>Total 4 keys, continually press it for 3 seconds, the dimmer's indicated light flick several times, meaning the current brightness was automatically saved, you can enter this mode by just press it once.</p>

VII. Exception handle

Malfunction	Causation	Settle
<p>No Light</p>	<ol style="list-style-type: none"> 1.No power from the socket 2. reverse connection of power +/- 3. wrong or loose connection 	<ol style="list-style-type: none"> 1.Check the socket 2,Modify the connection 3,Check connection
<p>Brightness of the LED is not even</p>	<ol style="list-style-type: none"> 1.Output wire too long, voltage drops 2. Wire diameter too slim, voltage drops. 3. power supplier overloads 4,controller overload 	<ol style="list-style-type: none"> 1. Reduce cable or use daisy-chain power. 2,calculate the current and change to a wider wire 3,Change to another large power supplier 4. Add a power repeater



Kind remind:

The effective power of the power supply in market is 80% of what it is written, so customers should choose a higher power supply than the actual LED load, at least 20% higher.